



Esprit 2 1000 117V Instructions (BW-2086) BWL-0293/1

BOWENS INTERNATIONAL LIMITED
355 Old Road
Clacton-on-Sea Essex CO15 3RH
Tel: +44(0) 1255 422807
Fax: +44(0) 1255 436342

ESPRIT 2 1000 117V
(BW-2086)

OPERATING INSTRUCTIONS

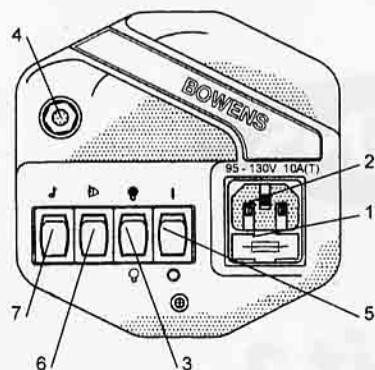


Fig.1

1. Fuse (+ Spare Fuse)
2. Mains Inlet
3. Modelling Lamp Control Switch
4. Sync Socket
5. Mains On/Off Switch
6. Photocell On/Off
7. Sounder On/Off

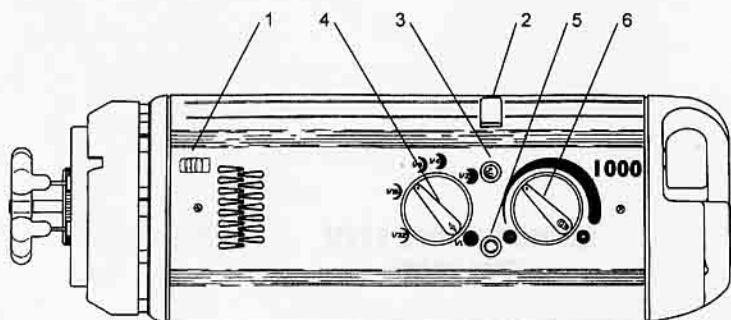


Fig.2

1. Latch Knob
2. Photocell Cover
3. 'Ready' Indicator
4. Flash Power Control
5. Test/Open Flash
6. Modelling Power Control

1. General

Welcome to the world-wide family of Bowens flash equipment users, and congratulations on selecting the Esprit 2 1000. The Esprit 2 1000 has been designed using the latest technology, to produce a unit with useful features that are simple to operate, small in size and weight, and have a powerful output.

2. Safety Notes

- The Esprit 2 1000 must not be used in an environment where moisture or flammable vapour is likely to come in contact with the unit.
- A fire hazard exists if flammable materials are placed in close proximity to either the flashtube or modelling bulb when the unit is in use.
- The charging and modelling circuitry of the Esprit 2 1000 is protected by a 10A (T) 20mm fuse mounted on the rear panel (Fig.1. 1). Disconnect the supply before changing the fuse. **Never** replace with a fuse of a different rating. A spare 10A (T) fuse is fitted in the fuse holder.
- Switch off and disconnect supply before changing fuse, modelling bulb or flashtube.
- Do not restrict slots in case when in use.
- Care must be exercised when handling equipment that has been in use. The reflector and front end of the unit can become **Very Hot**.
- Due to the high voltage / high energy used in Esprit 2 1000, all servicing must be carried out by an authorised Service Centre.

3. Contents Of Carton

- Esprit 2 1000 117V with flashtube
- Sync. cord
- Instructions

4. Fitting the Modelling Lamp

- Switch off and disconnect from supply. Screw the modelling lamp into the ES lampholder in the centre of the reflector.
- **Note:** It is recommended that a Photoflood or Halostar bulb with a maximum wattage of 275W is used on the Esprit 2 1000 unit. The manufacturer will not accept liability for the use of any lamp with a rating exceeding 275W.

5. Power Supply Connections

- 117V AC 50/60Hz Use the mains lead supplied to connect to the mains supply.

6. Mains On/Off Switch

- The green illuminated On/Off switch (Fig.1: 5) on the rear panel controls the power to both the flash and the modelling lamp. Setting the switch to 1 turns the unit ON and 0 turns the unit OFF.

7. Flash Power Selection

- The flash power output is variable over five f-stops from full to one thirty-second (1/32) power. The full stored energy of 1000-Watt Seconds (joules) gives a guide number of 450 (feet) or 137.2 (metres) using a 50° Keylite reflector and 100 ISO film. Half, quarter, eighth, sixteenth, and thirty-second power settings are marked on the panel by moon phases, and figures.
- Rotating the control (Fig.2. 4) from full to half, half to quarter, quarter to eighth, eighth to sixteenth, sixteenth to thirty-second gives a reduction in output equivalent to 1 f stop for each step.

8. Charge

- When first switched 'ON' the green illuminated ON/OFF switch (Fig.1. 5) will light. When the unit has charged to the level set by the flash power selector (Fig.2. 4) the green ready LED (Fig.2. 3) will light. Your Esprit 2 1000 is now ready to fire.

9. Synchronisation

- There are several ways to trigger the Esprit 2 1000.
- Open Flash: (Fig.2. 5)
For testing or multiple flash applications the Open Flash Pushbutton can be used.
- Sync Socket: (Fig.1. 4)
The standard quarter inch jack type socket on the rear panel of the unit may be used for direct connection to a camera set to 'x' synchronisation. Two Esprit 2 flash units may be connected together using a 'y' connector. An Infra Red Receiver or Ornicell may also be plugged into this socket.
- Photocell: (Fig.2. 2)
The Esprit 2 1000 has a built in switchable photocell enabling the unit to be triggered by the flash from any other flash unit or a small camera mounted flash gun. The photocell is mounted behind the red transparent cover on the top of the Unit.

10. Modelling Lamp Control

- With the modelling lamp control switch (Fig.1. 3) in the central position the modelling light is OFF. With the modelling light set to 'Intermittent' the modelling light will go out when the unit is flashed and come back on when the unit comes to ready. This enables the photographer to see from the camera position that all Esprit 2 units in use have fired. With the switch set to 'Continuous' the modelling lamp stays on all the time. The modelling light may be varied in ratio with the flash power output by aligning the modelling Knob (Fig.2.6) with that of the flash control (Fig.2.4).

11. Fuse (Fig.1. 1)

- The modelling and flash circuitry is protected by a single 10A (T) 20mm fuse mounted on the rear panel. Never replace the fuse with one of a different rating. As the fuse may blow when the modelling lamp fails always check the fuse when replacing the bulb. A spare fuse is supplied in the fuse holder. Always switch OFF the Esprit 2 unit before changing the bulb or fuse.

12. Audible 'Ready' Confirmation

- Set the Sounder Switch (Fig.1.7) to 'ON' to give a short beep when the unit comes to ready, to provide an audible 'Ready' confirmation.

13. Fitting / Removing A Reflector

- A range of reflectors is available for the Esprit 2 1000 unit. To fit, slide the neck of the reflector over the front of the unit. Align the three pegs on the reflector with the three slots in the retaining ring. Press down and turn clockwise to lock.
- To remove reflector, push Latch Knob (Fig.2. 1) towards the rear of the unit, turn the reflector fully anti-clockwise and withdraw.
- If an umbrella is to be used a 'Wide Angle Reflector' should be fitted and the umbrella fitted through the mounting hole in the mounting bracket on the Wide Angle Reflector and locked in position with the knurled screw.
- Note: Take care when fitting / removing reflectors not to damage the flashtube assembly. The flashtube is very delicate, avoid unnecessary handling of the glass tube. Always switch off and disconnect from mains supply before fitting / changing the flashtube assembly.

Warning High Voltage

Do not touch the flashtube assembly for thirty minutes after disconnecting from supply.

14. Replacement Of Flashtube

- Ensure that the unit is switched off and disconnected from the mains supply and then wait thirty minutes before touching / removing flashtube. Remove the protective cap and unwind the twisted Trigger wire from the trigger terminal tag, and gently pull the flash tube assembly out of the unit.
- Holding the replacement flash tube assembly as shown in Fig.3, locate the three brass sockets onto the plugs in the front of the unit. Press down evenly until all of the plugs and sockets are fully engaged. Pass the trigger wire through the hole in the trigger terminal tag and wind around the tag, ensuring that the trigger wire does not touch the metal top hat.
- Always replace with the correct flashtube assembly, BW-1079 for UV coated or BW-2980 for clear.

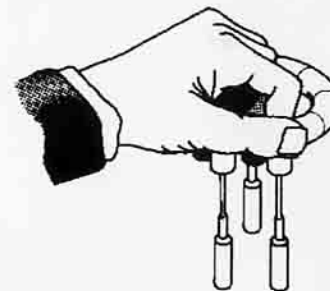


Fig.3

Esprit 2 1000 117V Operating Instructions

15. Operation

- Switch the unit ON and set the Sounder, Photo-cell and Modelling Light switches as required. Set the Flash Power and Modelling Light Power controls to the required level. When the unit has charged to the required level the green 'Ready' Indicator (Fig.2.3) will light. Plug in the sync cord and connect to camera shutter at 'x' synchronisation. Alternatively, use the built in photocell or plug in Infra Red Receiver or Omnicell. The open flash button should also be pressed after the flash power setting has been reduced, to ensure that the next flash is of the required power.

16. Mounting

- Mount the Esprit 2 1000 unit on selected support system. The mounting bush on the 'L' bracket allows for two possible ways of mounting to the stand / support (Fig.4). Method B may be found useful if the light is required to point down.

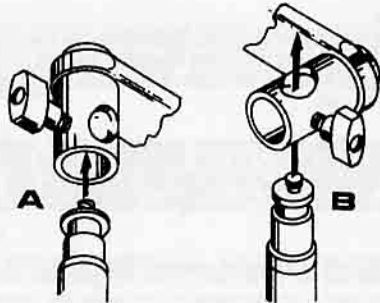


Fig.4

Esprit 2 1000 117V Operating Instructions

Unit Specification

Unit	Esprit 2 1000	
Stored Energy (Max)	1000Ws	
Charge Time (Full Power 117V 60Hz)	2.9 secs.	
Supply Voltage AC	95-130 VAC 50/60Hz	
Voltage Stabilisation	+/- 1%	
Modelling Lamp	Max 275W	
Ready Indication	100%	
Fuse	10A (T)	
Sync Volts	15V	
Photocell	On/Off	
Sounder	On/Off	
Modelling Power Control	Int/Off/Cont (Independent & Fully variable)	
Guide Number – Full Power 50° Keylite, ISO 100	450ft (137.2M)	
Flash Duration (Full Power) T=0.5	1/1500	
Flash Colour Temperature	Apx. 5600K UV coated as std.	
Flash Power Control	Full to 1/32, 5 F stops fully variable	
Recommended Modelling Lamp	250W 120V Halostar 275W 120V Photoflood	
Flash Tube Assembly	Clear UV Coated	BW-2980 BW-1079
Dimensions	L=450mm W=145mm H=145mm	
Weight	4.5Kg	

Due to our policy of constant product improvement Bowens International reserve the right to change equipment specifications without notice.